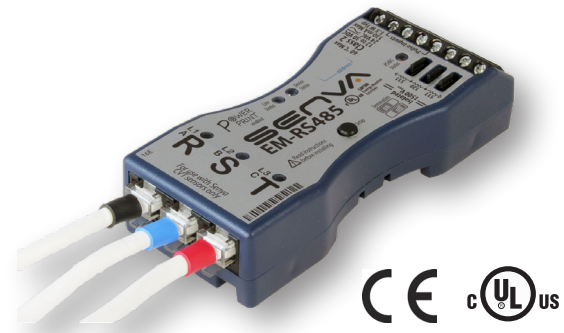


EM-Pulse Pulse Energy Meter

Pulse Version: kWh, KVAR, kVA
 Accepts additional pulse inputs for meters or flow meters
 Flexible Split-core Rogowski CVT™ Sensors
 Monitor loads from 30-6000A & 90-600V



DESCRIPTION

The EM-pulse installs quickly and safely. Unique design makes the meter entirely low-voltage, as the high voltage components are embedded in the Current/Voltage Transducer™ (CVT™).

Each CVT™ uses digital communication with the meter for superior noise immunity. The CVTs™ are individually calibrated and can be mixed or matched with independent meter channels for a sum total.

Accepts additional pulse inputs for additional meter inputs.

APPLICATIONS

- Energy Management and performance contracting
- Monitoring for commercial tenants
- Activity-based costing in commercial and industrial facilities
- Real-time power monitoring
- Load shedding
- Audits/temporary monitoring
- Distributed generation

FEATURES

Intelligent Meter Technology

- EM Series meters auto-detect and self configure for electrical service, CVT™ size for simple and efficient installation--manual CT scaling
- Calibration is at the CVT™ level so any CVT™ from the product family will maintain its accuracy with any EM Series meter

Ultimate Flexibility

- One universal meter supports all CVT™ options in the product family
- Flexible Mounting Options
 - Supports mounting on either horizontal or vertical PR30 (TS 35/F6) DIN rail
 - Snap-in mounting ears allow screwing to any suitable surface
 - Integrated rare earth magnets secure the EM meter to any ferrous enclosure or surface.



7 year limited warranty



Split-core Rogowski CVT™

- Easiest in the industry to install
- Senses both voltage & current
- High accuracy...digitally calibrated; interchangeable
- Available in multiple sizes & ratings to meet any project requirements

Quick Start Auto-detection

- Meter base recognizes the CVT™ sensors and scales itself accordingly
- No manual configuration necessary

Compact Size

- Most compact meter ever - fits in the palm of your hand!

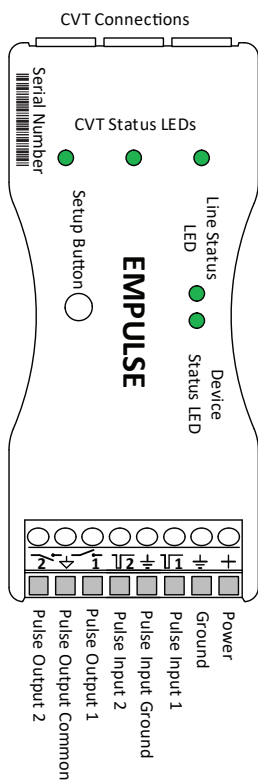
ORDERING

EM-Pulse

CVT Current/voltage transducers

See page 32

TERMINATIONS

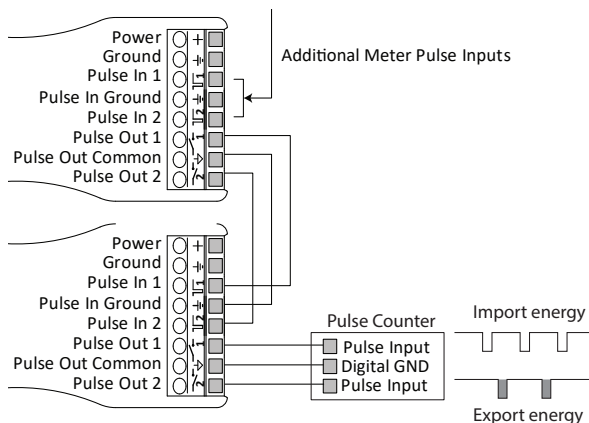


SPECIFICATIONS

Power Supply Input	12-30VDC/24VAC ⁽¹⁾ , 1.5W max, 100mA max.	
Pulse Outputs	Dual Outputs	Import & Export Energy
	Type	Solid state dry contact
	Specifications	N.O., 300mA max, 40V max
Wiring Requirements	Pulse Scaling	0.01, 0.1, 1, 10, 100, 1k Wh/Pulse
	Conductor gauge	14-26 AWG
	Terminal torque rating	0.4 ft-lb (0.55 N-m)
Pulse Inputs	Input Rating	3.5 +/- 0.5 VDC, short circuit current is 10mA max
	Pulse Rate	50 Hz max
	Pulse Active	<100 ohms
	Pulse Undefined	100-1000 ohms
Service Types	Pulse Idle	>1000 ohms
	Configurations	1Ph, 2Ph, 3Ph Wye (4-Wire), 3Ph Delta (3-Wire)
	Voltages	90VL-N through 600VL-L
Performance	Frequency	45-65 Hz
	Meter Accuracy	0.2% (ANSI C12.20 Class 0.2 standards)
Operating Environment	System Accuracy	1% for V, A, kW, kVAR, kVA
	Temperature	-4 to 140F (-20 to 60C)
Enclosure	Humidity	0-95% non-condensing
	Material	Polycarbonate/ABS
Compliance	Dimensions	4.1" h x 1.8" w x 0.9" d
	Agency	UL Listed, File E501430, CE, RoHS
	USA	Meets ANSI C12.20 Class 0.2 Standards
	State	Meets WA State Clean Building bill

MULTI-METER PULSE DAISY CHAIN WIRING EXAMPLE

The EMPULSE meter is capable of accepting pulse inputs from one or more meters. The meter will aggregate the pulses and report them as a total sum. The meters must all be set with the same pulse scale.



Warning: Refer to installation instructions that accompany product and heed all safety instructions.

